

# QuMax for Teltonika TRB160

**Integrated outdoor multi-band high power LTE directional antenna + place to install Teltonika TRB160 (All-in-one)**

QuMAX offers the most powerful directional LTE antenna of all QuWireless antennas. It is dedicated to connections with long distance to base station. It is designed to have Teltonika **TRB160** router installed inside IP67 enclosure. It is the first choice for fixed installations in industrial environment.



ALL ANTENNAS AND TELTONIKA ROUTER INTEGRATED **IN ONE ENCLOSURE**



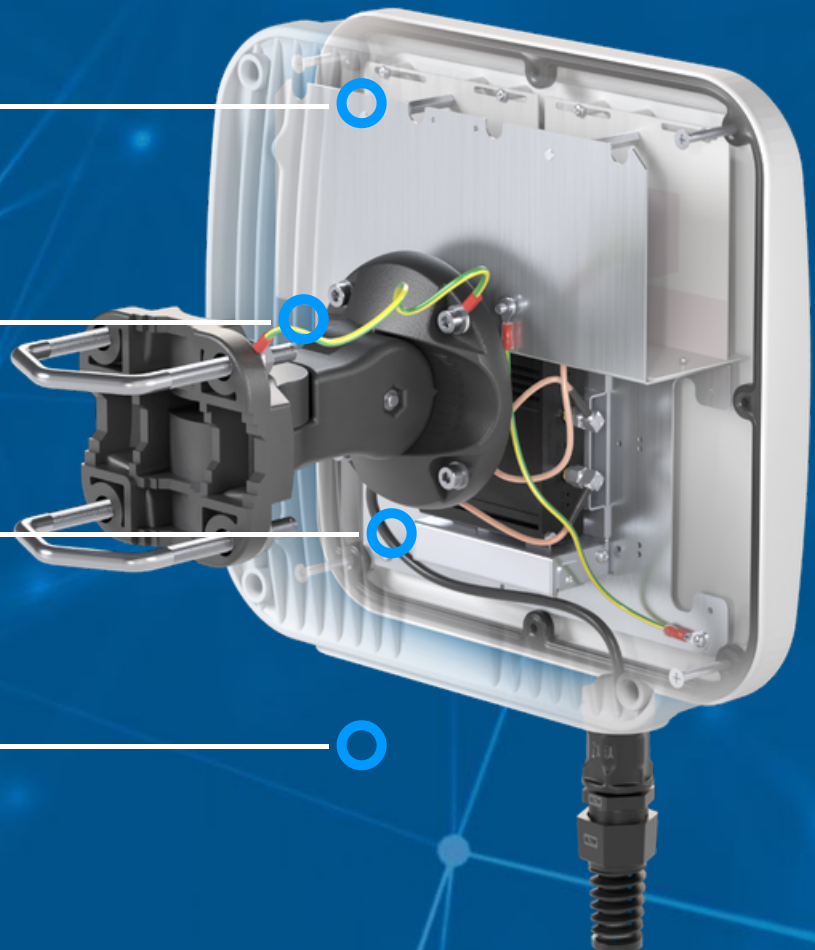
OUTDOOR ANTENNA WORKS IN ANY WEATHER CONDITIONS, IP67



ANTENNA **PERFECTLY MATCHED** WITH THE ROUTER



MADE IN **EUROPE**



## LTE ANTENNA SPECIFICATION

<b>FREQUENCY</b>	694 - 960 MHz 1.7 - 2.2 GHz 2.2 - 2.7 GHz
<b>SUPPORTED LTE/5G BANDS</b>	1, 2, 3, 4, 5, 6, 7, 8, 9, 10, 12, 13, 14, 17, 18, 19, 20, 23, 25, 26, 27, 28, 29, 30, 33, 34, 35, 36, 37, 38, 39, 40, 41, 44, 53, 59, 62, 65, 66, 67, 68, 69, 85, n80, n81, n82, n83, n84, n86, n89, n90, n95
<b>GAIN</b>	694 - 960 MHz : 4 dBi 1.7 - 2.2 GHz : 5 dBi 2.2 - 2.7 GHz : 6 dBi
<b>FRONT-TO-BACK</b>	>8 dB
<b>VSWR</b>	<1.30, max <1.80
<b>BEAMWIDTH</b>	90°/90° ±30°
<b>POLARIZATION</b>	Vertical
<b>IMPEDANCE</b>	50 Ω
<b>CONNECTOR</b>	2x SMA

## MECHANICAL SPECIFICATION

<b>MATERIALS</b>	ABS, aluminum, PTFE, Fiberglass
<b>CONNECTOR TYPE</b>	RJ45
<b>INGRESS PROTECTION</b>	IP67
<b>DIMENSIONS</b>	272 x 276 x 96 mm 10.71 x 10.87 x 3.78 inch
<b>WEIGHT</b>	1.8 kg 3.97 lbs
<b>OPERATING TEMPERATURE</b>	From -40°C to 80°C From -40°F to 176°F
<b>ENCLOSURE RECOMMENDED TIGHTENING TORQUE</b>	0.6 - 0.8 Nm
<b>MAST DIAMETER</b>	25-66mm 0.98-2.60 inch

# FREQUENCY BANDS

**LTE / 4G GSM**

694 MHz	5	6	8	12	13	14	17	960 MHz
	18	19	20	26	27	28	29	
	44	67	68	85	n81	n82	n83	
	n89							

**LTE / 4G UMTS**

1710 MHz	1	2	3	4	9	10	25	2170 MHz
	33	34	35	36	37	39	59	
	62	n80	n84	n86	n95			

**LTE / 4G WCS DARS**

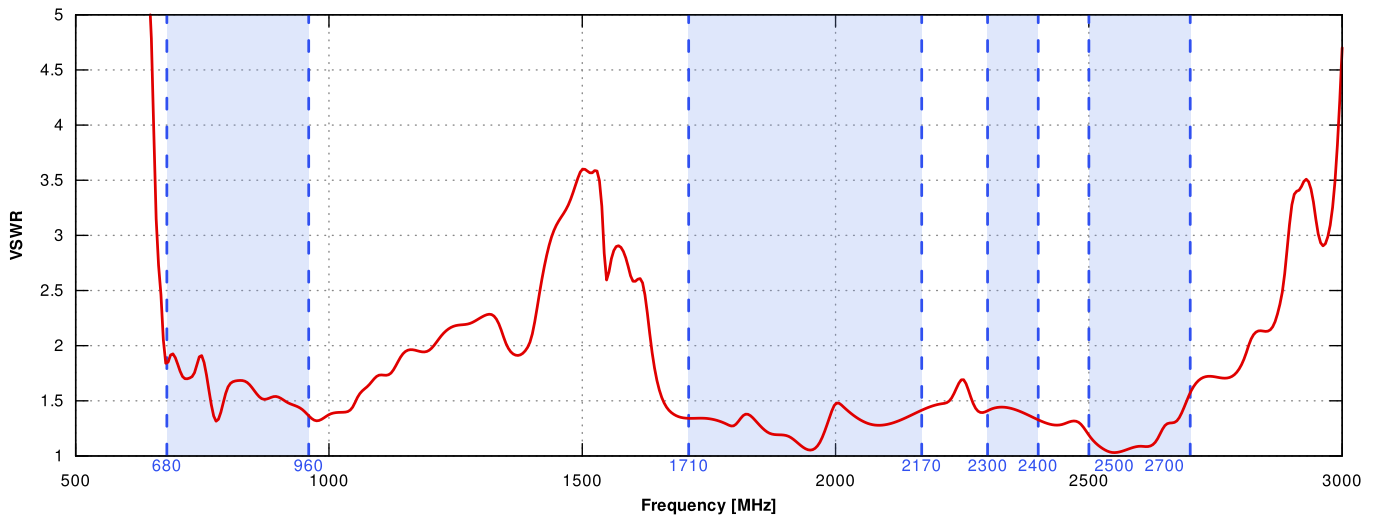
2300 MHz	30	40						2400 MHz
-------------	----	----	--	--	--	--	--	-------------

**LTE / 4G**

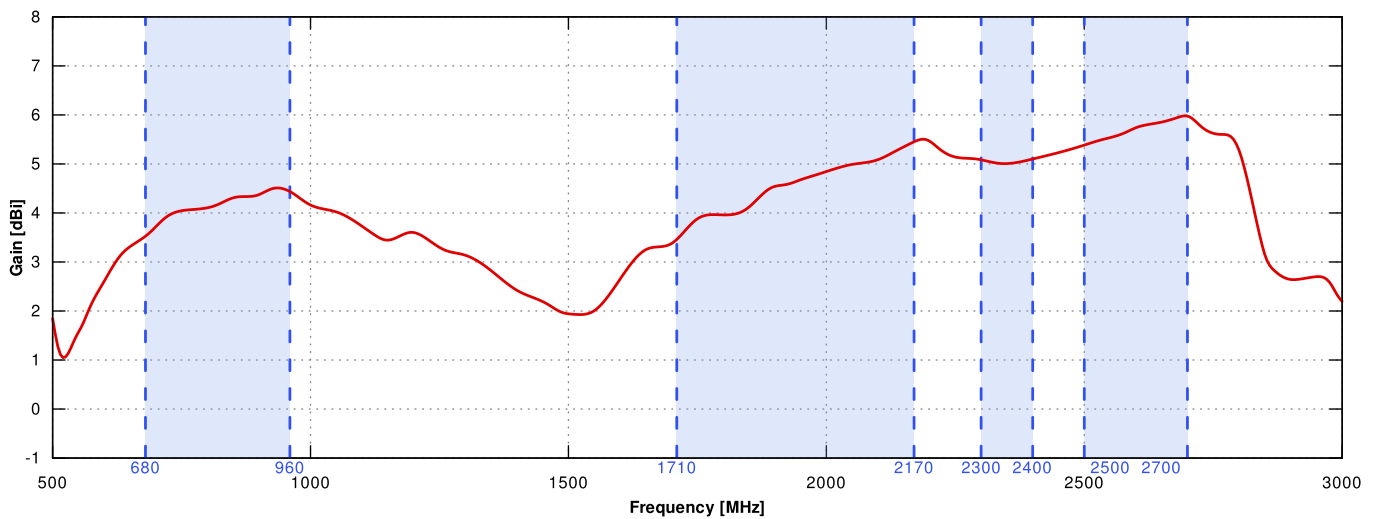
2400 MHz	7	38	41	53	69	n90		2700 MHz
-------------	---	----	----	----	----	-----	--	-------------

## PLOTS

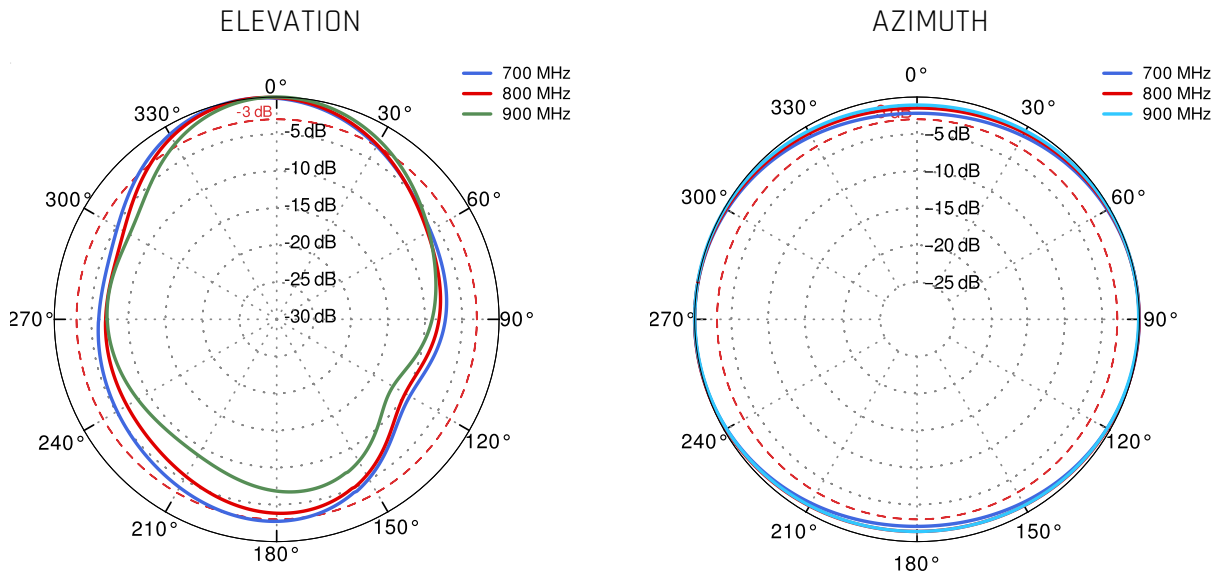
VSWR for LTE antenna



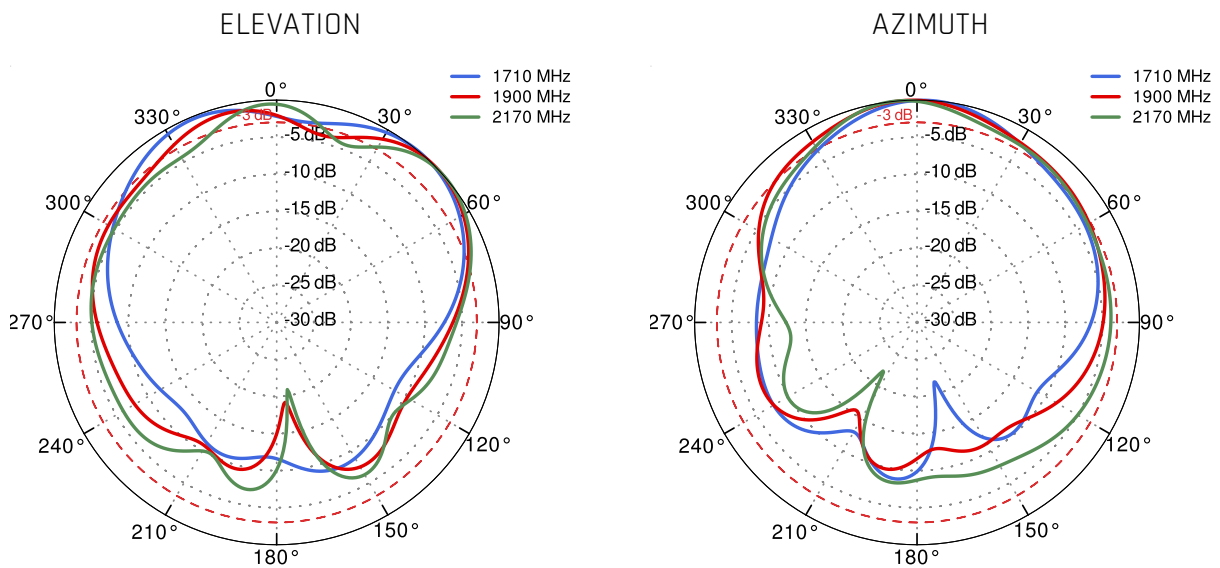
Gain for LTE antenna



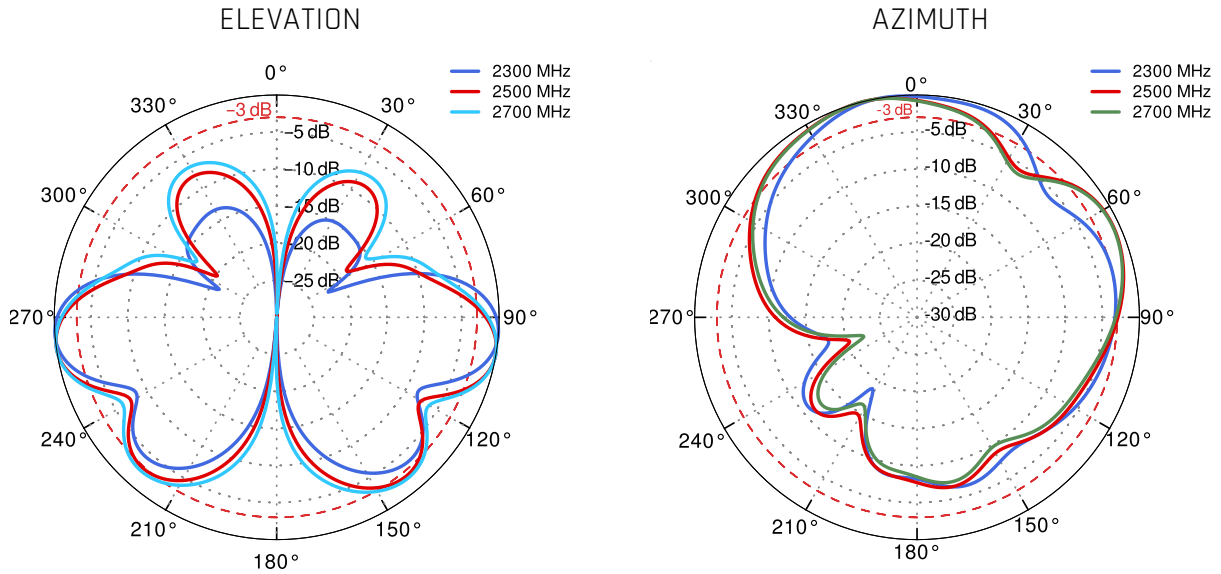
### LTE from 700MHz to 900MHz



### LTE from 1.71GHz to 2.17GHz



LTE from 2.3GHz to 2.7GHz



## **DIMENSIONS**

