

QuSplitter QPS3-470 for Tetra

QuSplitter QPS3-470 for Tetra

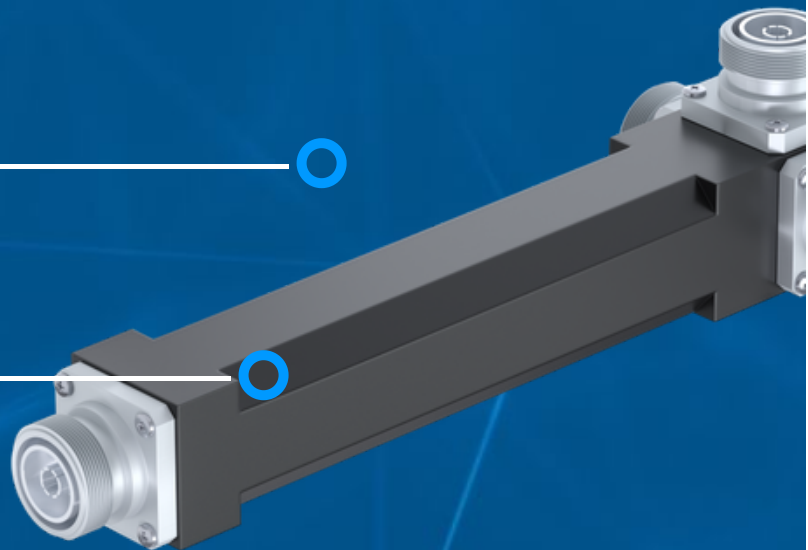
Power splitter with 3x 7/16-DIN female output dedicated for Tetra. Works in 380 - 470 MHz frequency.



FREQUENCY: 380 - 470 MHz



MADE IN EUROPE



MECHANICAL SPECIFICATION

FREQUENCY	380 - 470 MHz
MAX. INPUT POWER	500 W
VSWR	< 1.2
INSERTION LOSS	0.25 dB
SPLIT LOSS	4.8 dB
IMPEDANCE	50 Ω
CONNECTOR	7/16-DIN Female

