

# QuSpot for Teltonika RUTX10

**Integrated outdoor multi band Wi-Fi omni antennas + Bluetooth antenna + place to install Teltonika RUTX10 (All-in-one)**

QuSpot omni LTE antenna for Teltonika **RUTX10** router is a perfect outdoor device for mobile and fixed installations like industrial, CCTV, hotspots, yachts, boats, campers, RV etc. It has embedded also Wi-Fi dual band 2.4 & 5GHz omni antenna and Bluetooth omni antenna. If you use **RUTX10** with QuSpot antenna, you get an integrated complete solution with embedded router and multi band antennas in one enclosure. This product is also compatible with **RUTM10**. If used with RUTM10, the Bluetooth antenna is unused.



OUTDOOR ANTENNA WORKS IN **ANY WEATHER CONDITIONS**, IP68



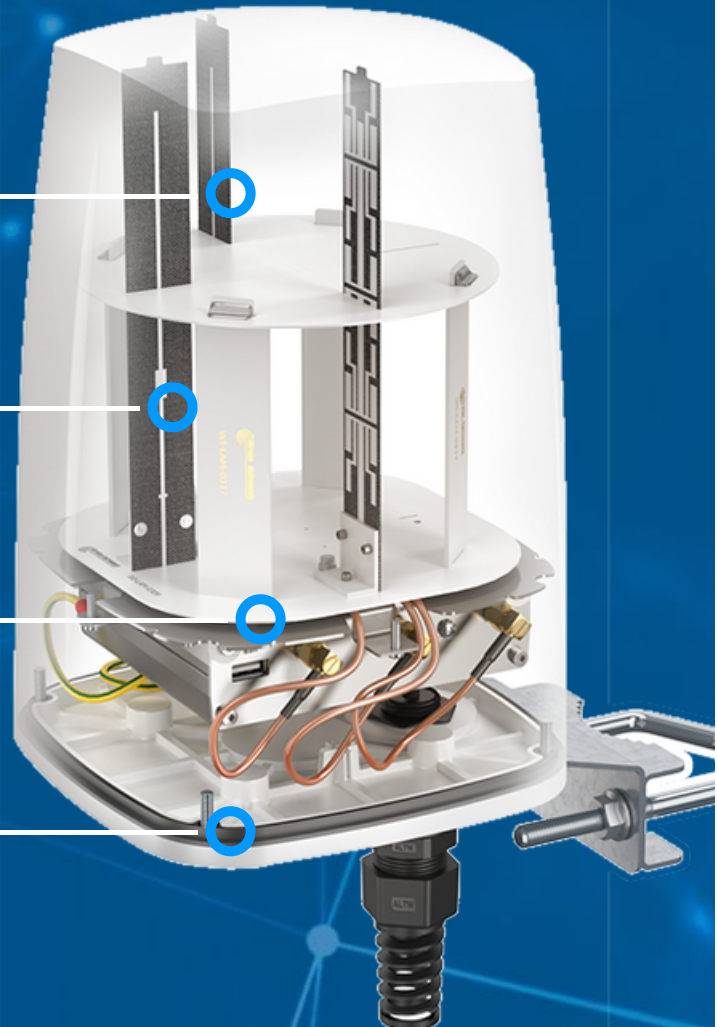
ANTENNA **PERFECTLY MATCHED** WITH THE ROUTER



PASSIVE **POE SUPPORT**



MADE IN **EUROPE**



## **WI-FI ANTENNA SPECIFICATION**

<b>FREQUENCY</b>	2.4 - 2.5 GHz 4.70 - 6.00 GHz
<b>GAIN</b>	2.40 - 2.50 GHz : 6 dBi 4.70 - 6.00 GHz : 7 dBi
<b>VSWR</b>	<2.00
<b>BEAMWIDTH</b>	360°/25° ±5°
<b>POLARIZATION</b>	Vertical
<b>IMPEDANCE</b>	50 Ω

## **BLUETOOTH ANTENNA SPECIFICATION**

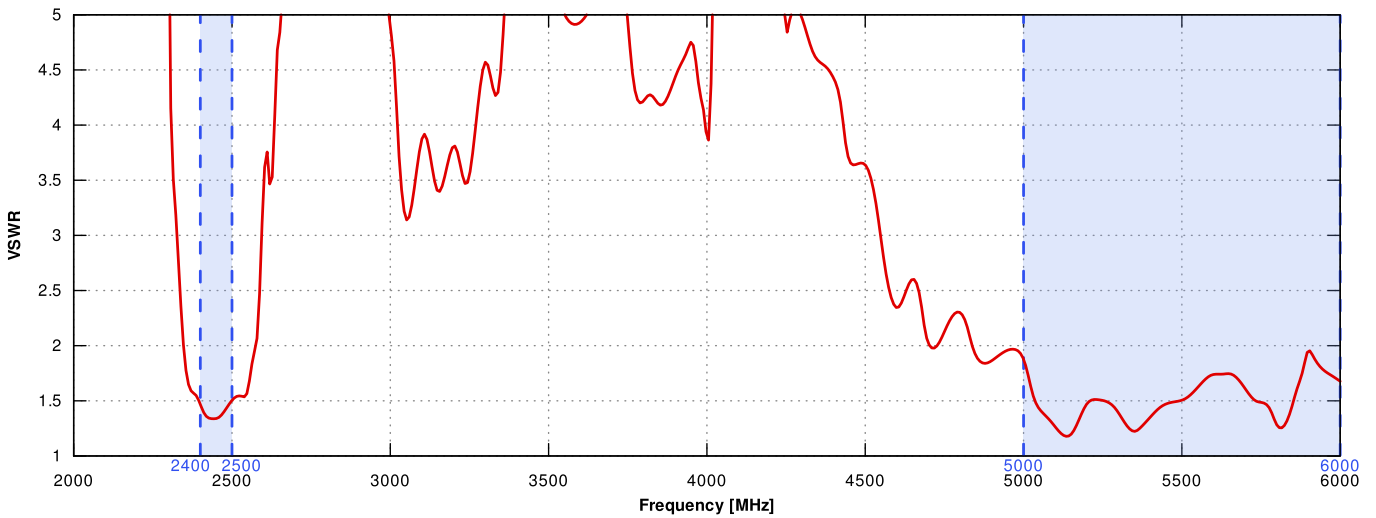
<b>FREQUENCY</b>	2.40 - 2.50 GHz
<b>GAIN</b>	6 Dbi
<b>VSWR</b>	<2.00
<b>BEAMWIDTH</b>	360°/25° ±5°
<b>POLARIZATION</b>	Vertical
<b>IMPEDANCE</b>	50 Ω

## MECHANICAL SPECIFICATION

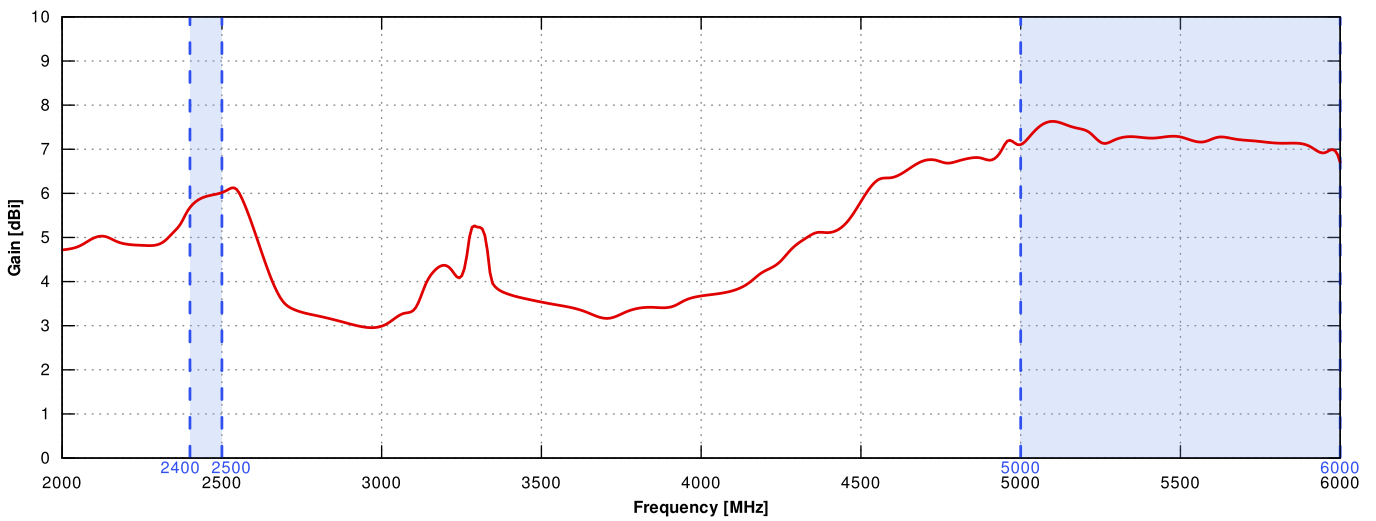
<b>MATERIALS</b>	ABS, aluminum, PTFE
<b>CONNECTOR TYPE</b>	RJ45
<b>INGRESS PROTECTION</b>	IP68
<b>DIMENSIONS</b>	160 x 160 x 240 mm 6.3 x 6.3 x 9.45 inch
<b>WEIGHT</b>	1.5 kg 3.31 lbs
<b>OPERATING TEMPERATURE</b>	From -40°C to 80°C From -40°F to 176°F
<b>ENCLOSURE RECOMMENDED TIGHTENING TORQUE</b>	0.5 - 0.7 Nm
<b>MAST DIAMETER</b>	25-66 mm 0.98-2.60 inch

## PLOTS

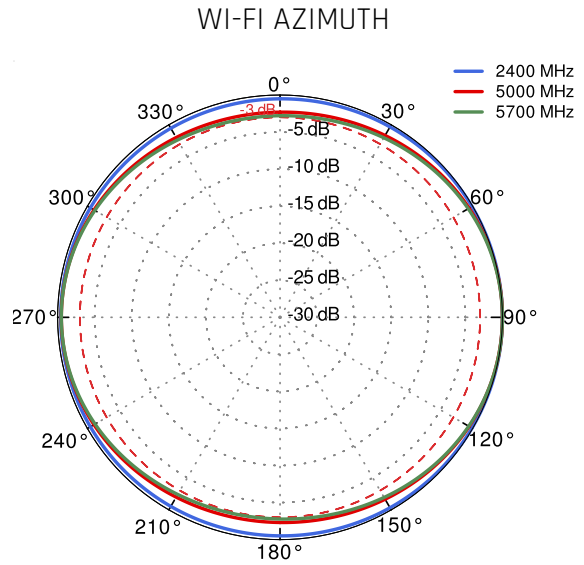
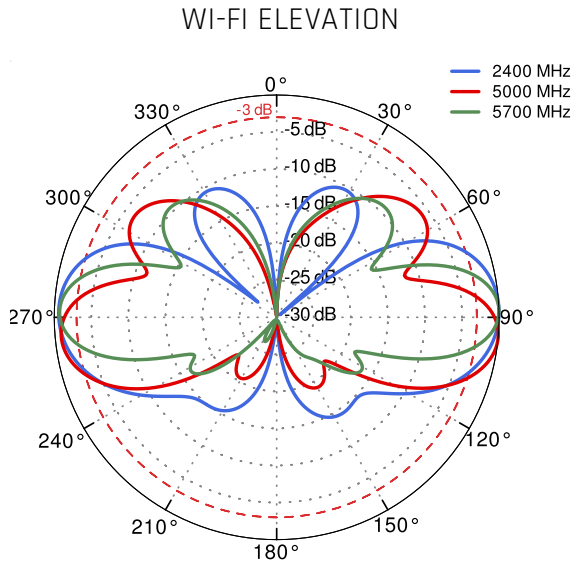
### VSWR for Wi-Fi antenna



### Gain for Wi-Fi antenna



Wi-Fi 2.4GHz and 5GHz



**DIMENSIONS**

